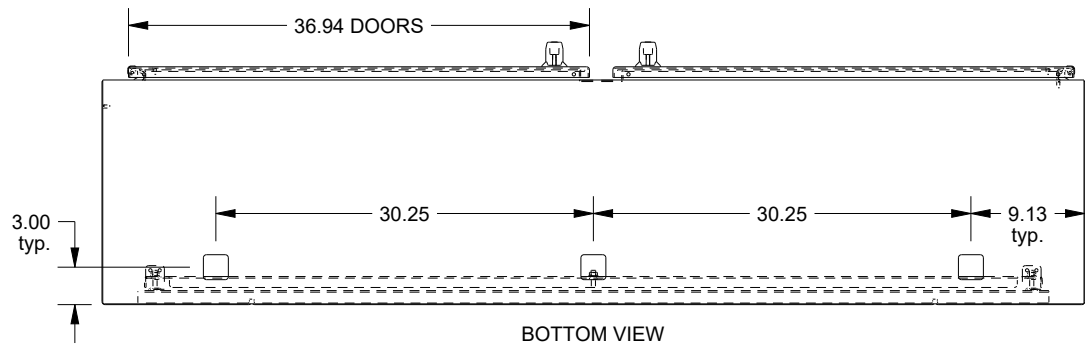
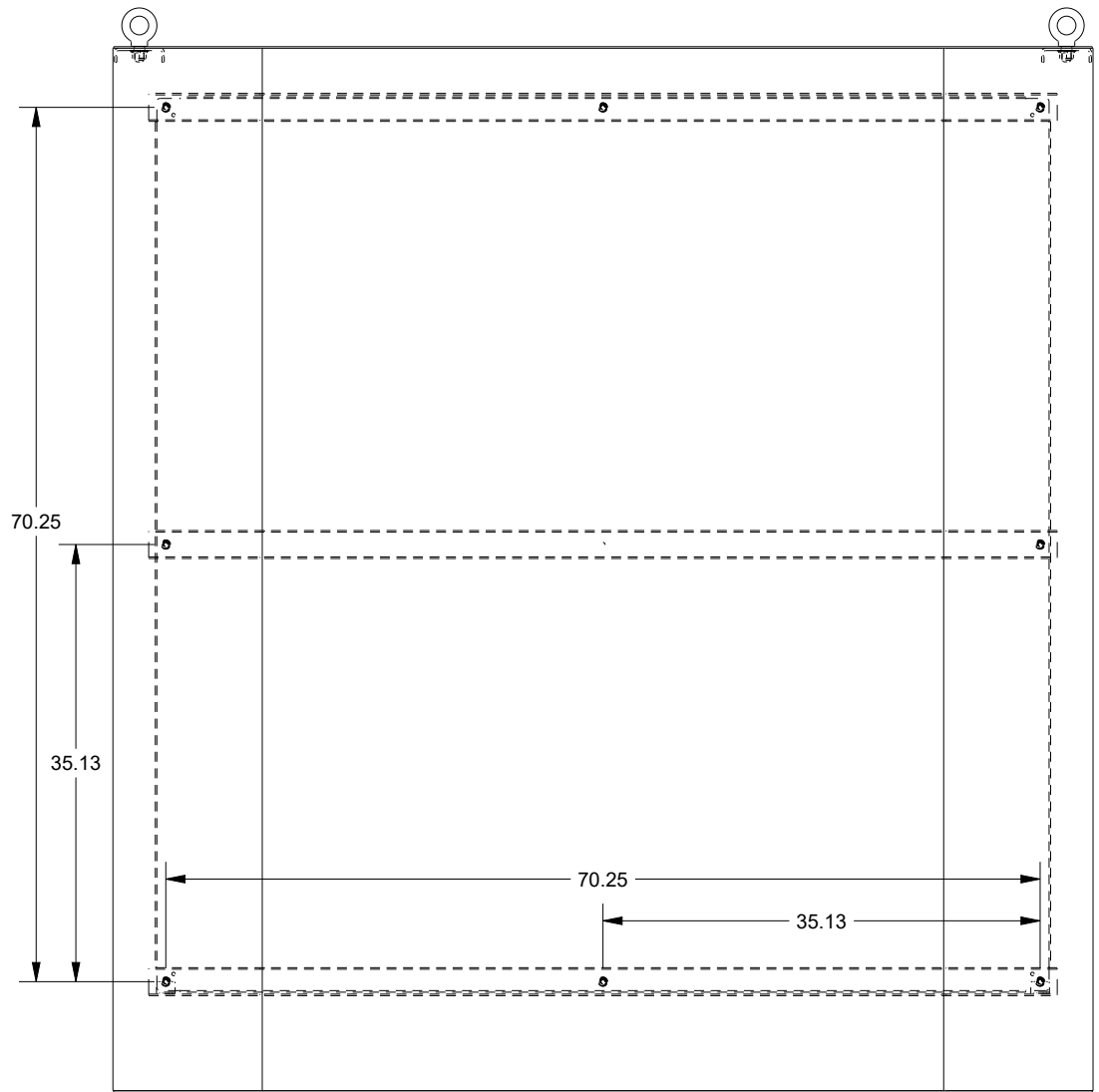
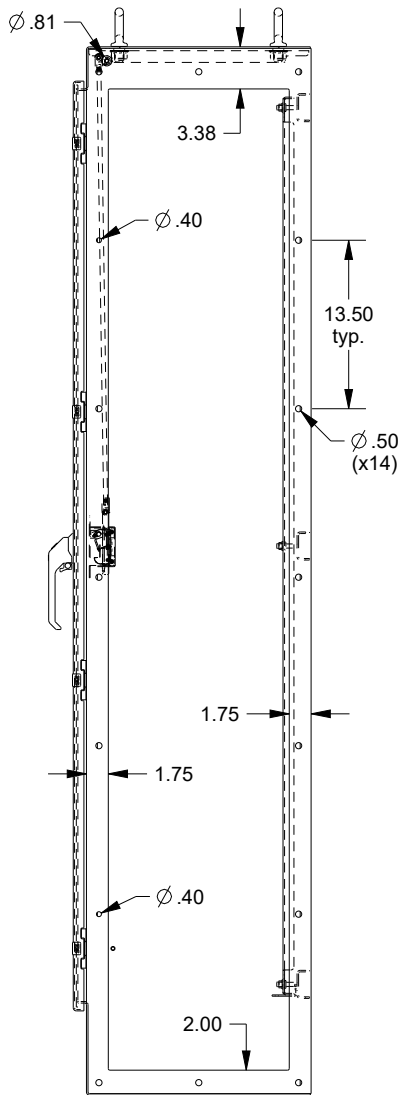
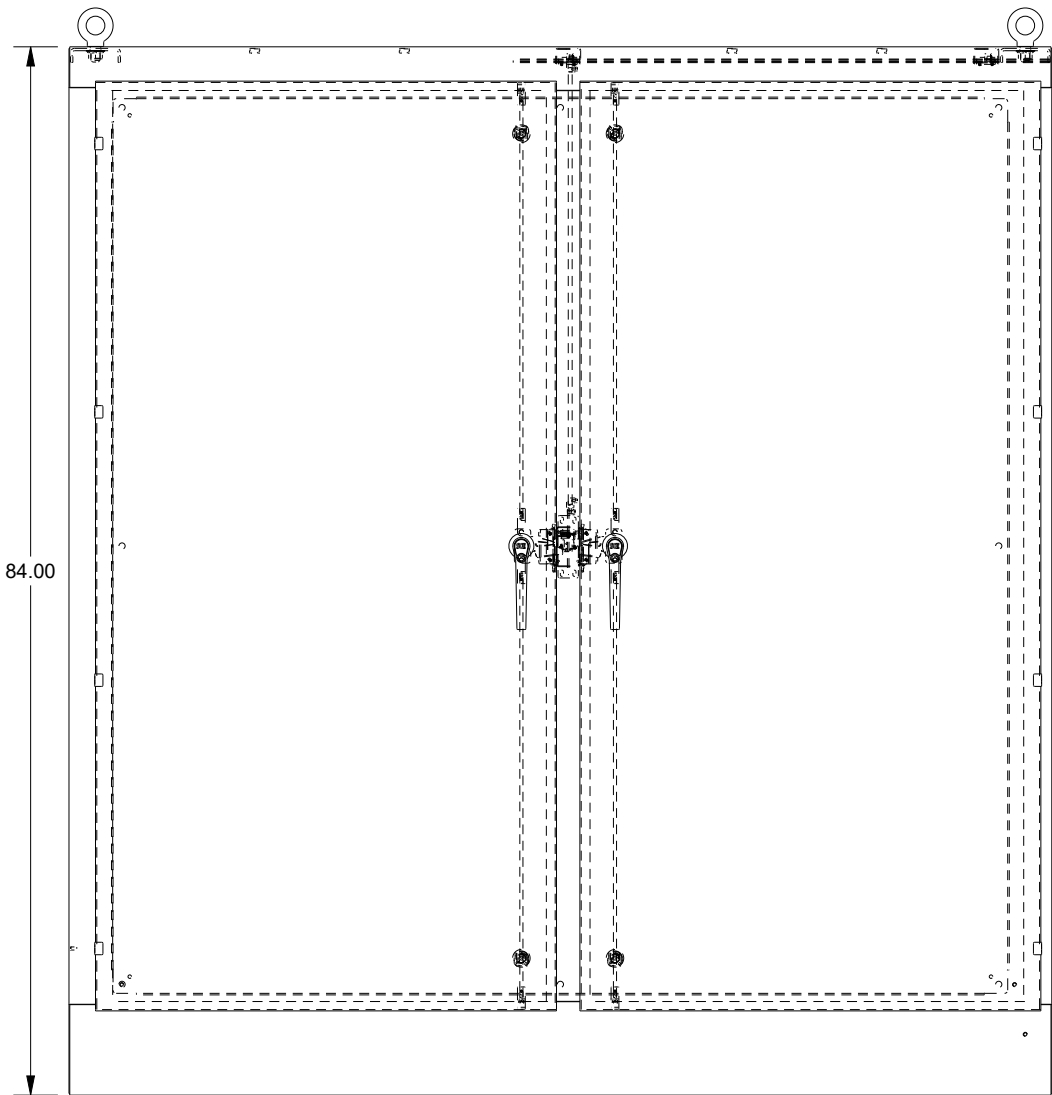
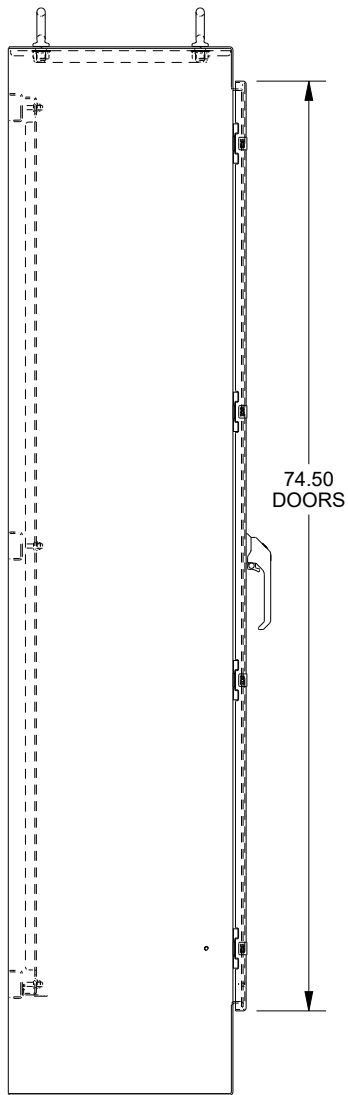
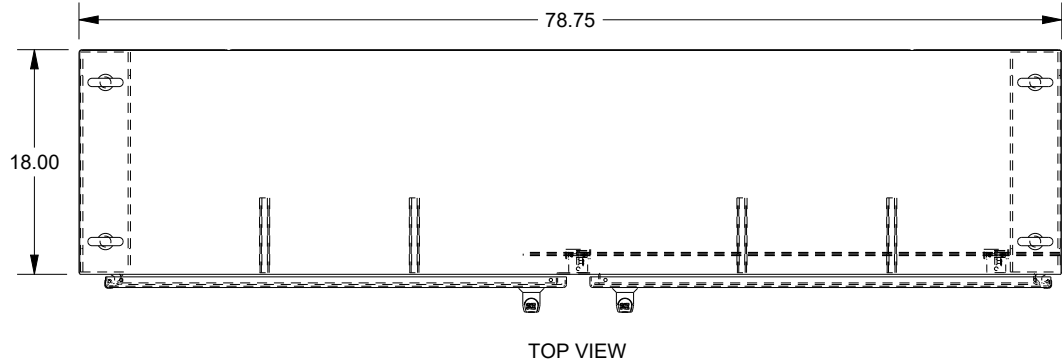


# SAGINAW CONTROL & ENGINEERING

## SCE-84XML2D18



WASH SYSTEM 2" SQUARE DRAIN HOLES  
IN THE BOTTOM WITH UL APPROVED  
HOLE SEALS PROVIDED